

LEAD FREE ACCESSORY FAUCETS



MODEL	DESCRIPTION	FINISH	PART #
-------	-------------	--------	--------

ENDURING II SERIES 1310 Enduring II Lead Free Accessory Faucet for Filter

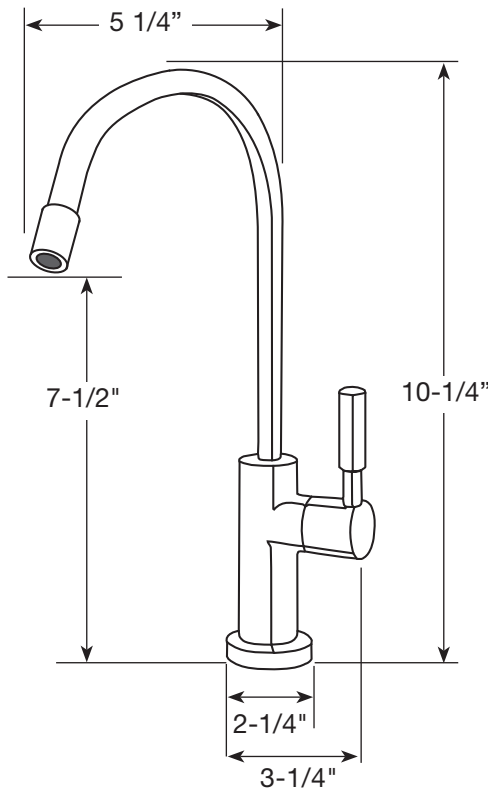
COLD ONLY

Shipping Wt: 4 lbs.
 Enduring II design • **adjustable flow control with a quarter turn ceramic disc valve for filling pitchers and pots** • swivel spout

Certified to NSF/ANSI Standard 61 and California Proposition 65.

Chiller sold separately (see EverCold).

Dimensions:
 Height: 10-1/4"
 Reach: 5-1/4"
 Spout Diameter: 1/2"
 Hole Size Required: 1-1/4"



ENDURING II FOR FILTER

CHROME WI-FA1310C-CH

SPECIAL SATIN NICKEL

WI-FA1310C-SN

Please call for pricing on any Finish/Faucet combinations not listed.

A separate air gap is available for reverse osmosis on this model.



ENDURING COLD ONLY



Meets National Lead Laws including NSF 372 - 2011 Drinking Water System Components - Lead Content and S.3874, Reduction of Lead in Drinking Water Act, CAAB 1953 and VT Act 193.

MAXIMUM recommended line pressure for this product is 75 PSI. Pressure above 75 PSI indicates the absence of a properly functioning water pressure regulator at the property. Excessive water pressure poses a risk of property damage to you. Problems due to excessive water pressure are NOT covered by this product's warranty. **BEFORE** installation of any Water, Inc. product, confirm that water supply pressure does not exceed 75 PSI. Questions? Contact Water, Inc. Service Depart. at 800.322.WATER(9283)
 Installations must comply with appropriate plumbing codes. Do not use vinyl tubing to connect any Water, Inc. Product to a water source. Polyethylene tubing is recommended for cold water applications.

FAUCET KIT Part # WI-FAUCET-KIT Shipping Wt: 2 lbs.

Compatible with this Water, Inc. faucet. Includes a JG 1/4 x 7/16 - 24UNS Speedfit connector, angle stop valve, teflon tape, six feet of 1/4" OD tubing, and installation instructions.